

Datasheet

MATWORKS Sample holder S-MM-050.023-04.04-A

MATWORKS Sample holder S-MM-050.023-04.04-A

Original Datasheet

Matworks GmbH  
Gartenstraße 133  
73430 Aalen  
Germany

[solutions@matworks.de](mailto:solutions@matworks.de)  
[www.matworks.de](http://www.matworks.de)

Document Name: Datasheet\_MC43-11401-0101  
Document-Revision: 1

Language: English  
Effective from: 07/2025



Authorized Dealer:

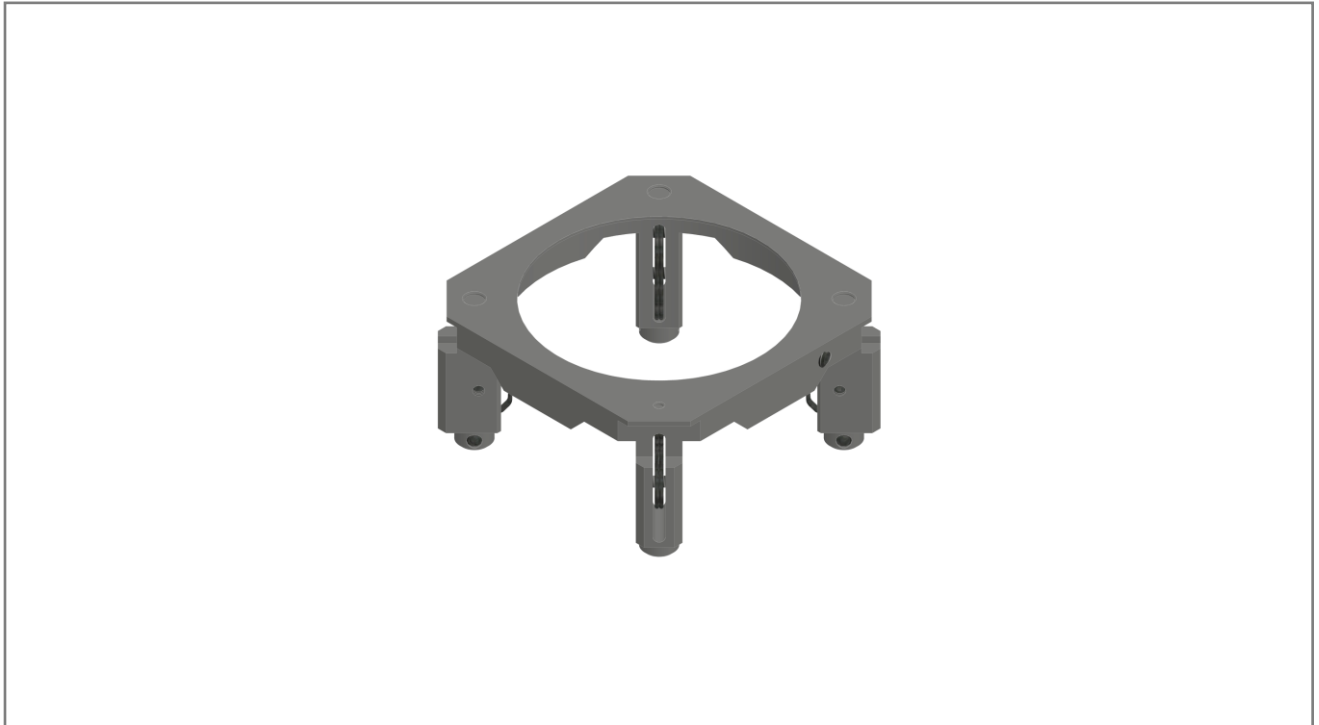
Carl Zeiss Microscopy GmbH  
Carl-Zeiss-Promenade 10  
07745 Jena  
Germany

[microscopy@zeiss.com](mailto:microscopy@zeiss.com)  
[www.zeiss.com/microscopy](http://www.zeiss.com/microscopy)

© 2025 Without the prior written consent of MATWORKS, this document or any part of it must neither be translated nor reproduced or transmitted in any form or by any means - including electronic or mechanic methods, by photocopying, recording or by any information or filing system. The right to make backup-copies for archiving purposes shall remain unaffected thereby. Any violations may be prosecuted as copyright infringements. The use of general descriptive names, registered names, trademarks, etc. in this document does not imply that such names are exempt from the relevant intellectual property laws and regulations and therefore free for general use. This shall also apply if this is not specifically referred to. Software programs shall entirely remain the property of MATWORKS. No program or subsequent upgrade thereof may be disclosed to any third party, copied or reproduced in any other form without the prior written consent of MATWORKS, even if these copies or reproductions are destined for internal use at the customer's only, the only exception being one single back-up copy for archiving purposes. MATWORKS reserves the right to make modifications to this document without notice.

**Overview**

S-MM-050.023-04.04-A | Sample holder for grinding samples 50 mm



**Component declarations**

Type	Sample holder
Designation	S-MM-050.023-04.04-A
Component-ID	MC43-11401
Revision-ID	MC43-11401-0101

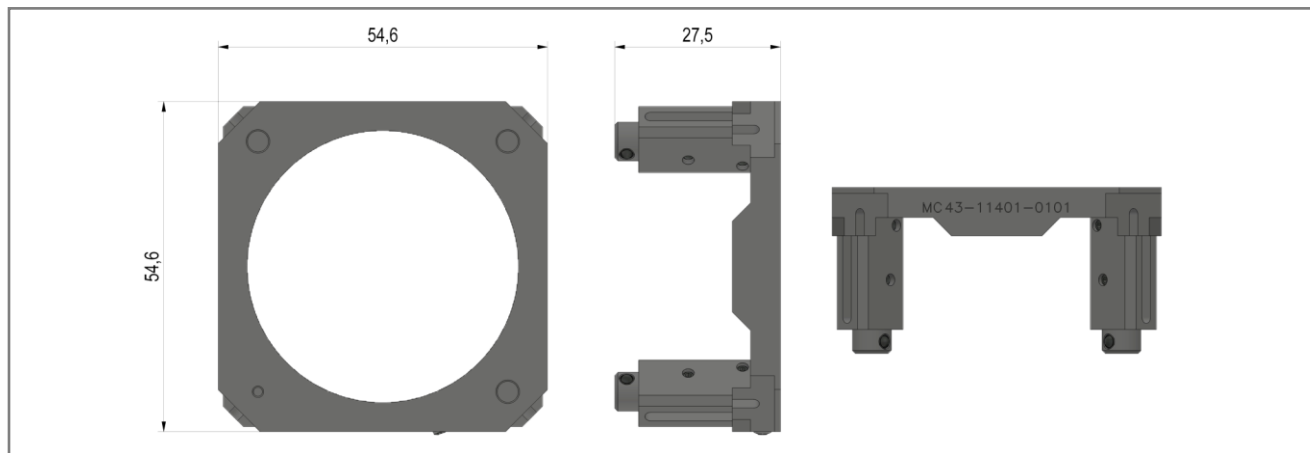
**ZEISS declarations**

ZEISS material number	432343-9130-000
ZEISS revision state	2025/06/20

**Compatibility and Applications**

Compatible sample size	Diameter = 50 mm Height = 10-22 mm
Maximum possible acquisition area	Diameter = 45 mm
Grid Size	4x4
System Compatibility	Matworks SAMPLE.CLICK.SYSTEM

## Technical Data



### Dimensions and Weight

Width x Depth x Height	54,6 mm x 54,6 mm x 27,5 mm
Weight	29 g

### Ambient conditions for transport (in packaging)

Permissible ambient temperature	-40 to +50 °C
---------------------------------	---------------

### Storage

Permissible ambient temperature	+10 to +40 °C
Permissible relative humidity (no condensation)	max. 75 % @ 35 °C

### Operation

Permissible ambient temperature	+10 to +40 °C
Permissible relative humidity (no condensation)	max. 75 % @ 35 °C
Operating environment	Interior

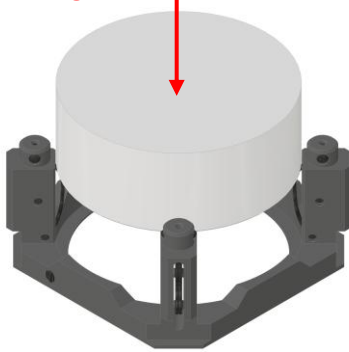
### Material and surface

Material	AlMg4,5Mn
Surface	DURNI-COAT® Al 571 layer thickness: 30 µm "Phosphorus alloy content: 9–13% (including alloying elements)" Hardness: approx. 570 HV0.05 lead-free, glossy is intended for repeated contact with food and drinking water

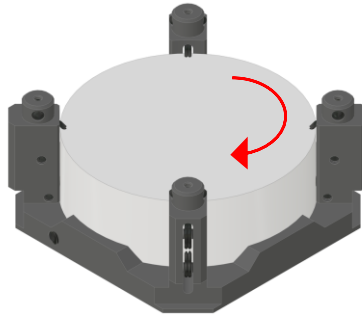
**Assembly / disassembly and operating instructions**

**STEP 1:** Push the sample into the holder (1.1) and align the sample (1.2). If necessary, the screw can be carefully tightened to fix the sample in the sample holder (1.3, Allen screw size 1.5 mm).

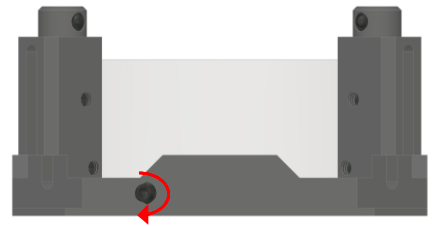
1.1 PUSH



1.2



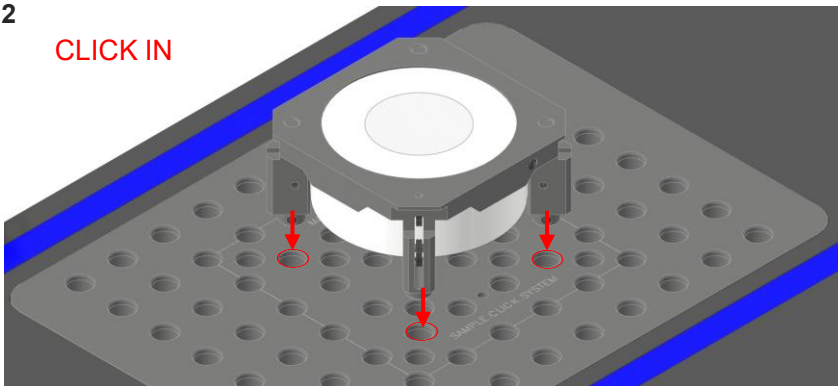
1.3



**STEP 2:** Click in the sample holder into the grid plate at the desired position for microscopy

2

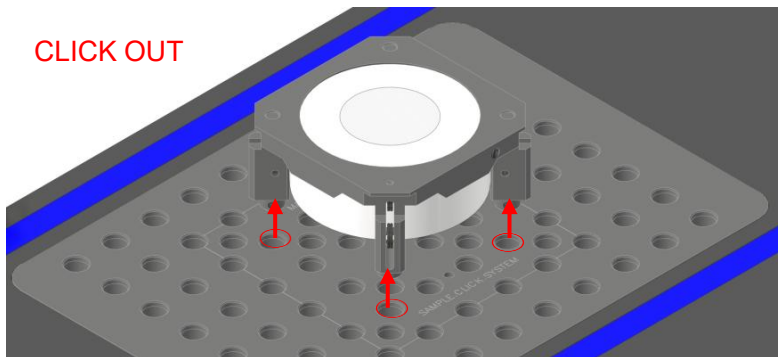
CLICK IN



**STEP 3:** After microscopy, click out the sample holder from the grid plate (3.1), then push the sample out of the sample holder (3.2). Do not store the sample in the sample holder.

3.1

CLICK OUT



3.2

PUSH

