

Datasheet

MATWORKS Sample holder S-MM-040.023-04.04-A

MATWORKS Sample holder S-MM-040.023-04.04-A

Original Datasheet

Matworks GmbH
Gartenstraße 133
73430 Aalen
Germany

solutions@matworks.de
www.matworks.de

Document Name: Datasheet_MC43-11301-0101
Document-Revision: 1

Language: English
Effective from: 07/2025



Authorized Dealer:

Carl Zeiss Microscopy GmbH
Carl-Zeiss-Promenade 10
07745 Jena
Germany

microscopy@zeiss.com
www.zeiss.com/microscopy

© 2025 Without the prior written consent of MATWORKS, this document or any part of it must neither be translated nor reproduced or transmitted in any form or by any means - including electronic or mechanic methods, by photocopying, recording or by any information or filing system. The right to make backup-copies for archiving purposes shall remain unaffected thereby. Any violations may be prosecuted as copyright infringements. The use of general descriptive names, registered names, trademarks, etc. in this document does not imply that such names are exempt from the relevant intellectual property laws and regulations and therefore free for general use. This shall also apply if this is not specifically referred to. Software programs shall entirely remain the property of MATWORKS. No program or subsequent upgrade thereof may be disclosed to any third party, copied or reproduced in any other form without the prior written consent of MATWORKS, even if these copies or reproductions are destined for internal use at the customer's only, the only exception being one single back-up copy for archiving purposes. MATWORKS reserves the right to make modifications to this document without notice.

Overview

S-MM-040.023-04.04-A | Sample holder for grinding samples 40 mm



Component declarations

Type	Sample holder
Designation	S-MM-040.023-04.04-A
Component-ID	MC43-11301
Revision-ID	MC43-11301-0101

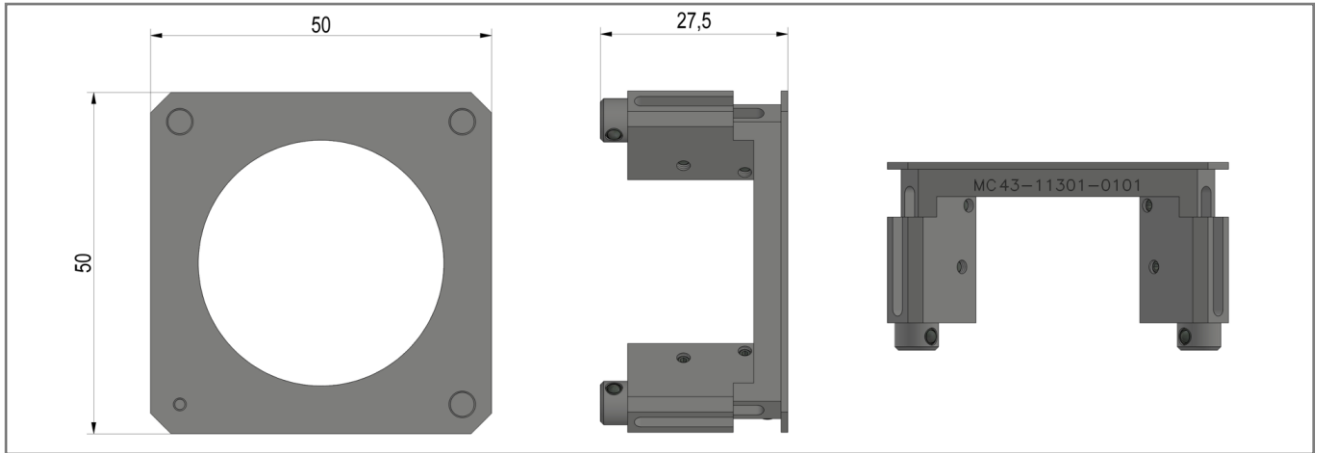
ZEISS declarations

ZEISS material number	432343-9120-000
ZEISS revision state	2025/06/20

Compatibility and Applications

Compatible sample size	Diameter = 40 mm Height = 10-22 mm
Maximum possible acquisition area	Diameter = 36 mm
Grid Size	4x4
System Compatibility	Matworks SAMPLE.CLICK.SYSTEM

Technical Data



Dimensions and Weight

Width x Depth x Height	50 mm x 50 mm x 27,5 mm
Weight	31 g

Ambient conditions for transport (in packaging)

Permissible ambient temperature	-40 to +50 °C
---------------------------------	---------------

Storage

Permissible ambient temperature	+10 to +40 °C
Permissible relative humidity (no condensation)	max. 75 % @ 35 °C

Operation

Permissible ambient temperature	+10 to +40 °C
Permissible relative humidity (no condensation)	max. 75 % @ 35 °C
Operating environment	Interior

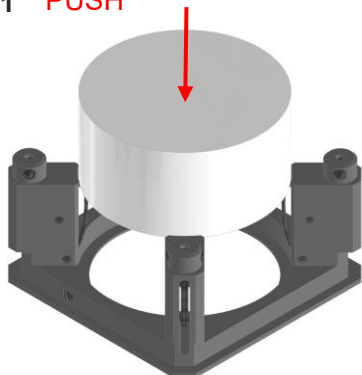
Material and surface

Material	AlMg4,5Mn
Surface	DURNI-COAT® Al 571 layer thickness: 30 µm "Phosphorus alloy content: 9–13% (including alloying elements)" Hardness: approx. 570 HV0.05 lead-free, glossy is intended for repeated contact with food and drinking water

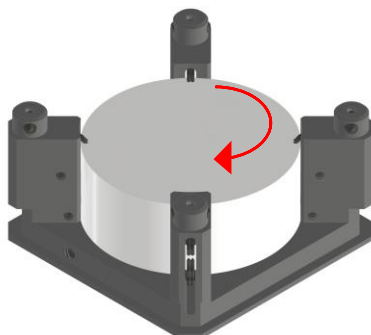
Assembly / disassembly and operating instructions

STEP 1: Push the sample into the holder (1.1) and align the sample (1.2). If necessary, the screw can be carefully tightened to fix the sample in the sample holder (1.3, Allen screw size 1.5 mm).

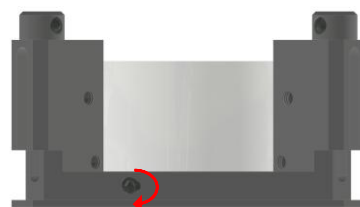
1.1 **PUSH**



1.2



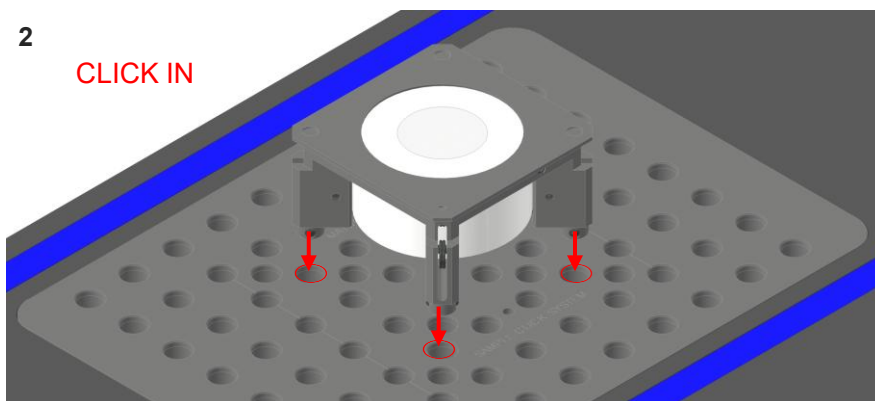
1.3



STEP 2: Click in the sample holder into the grid plate at the desired position for microscopy

2

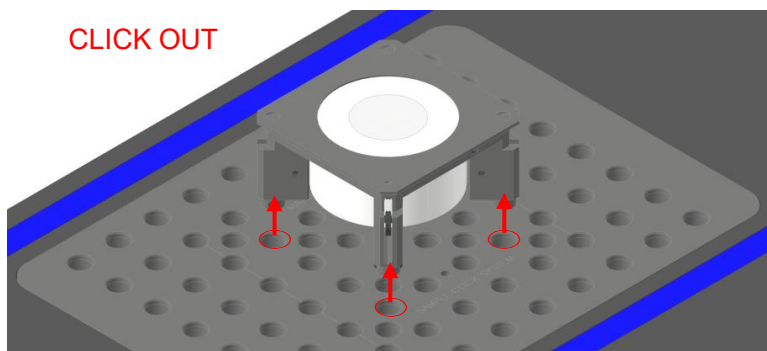
CLICK IN



STEP 3: After microscopy, click out the sample holder from the grid plate (3.1), then push the sample out of the sample holder (3.2). Do not store the sample in the sample holder.

3.1

CLICK OUT



3.2

PUSH

