

Datasheet

MATWORKS Grid Plate G-OZ-160.116-10.08-A

MATWORKS Grid Plate G-OZ-160.116-10.08-A

Original Datasheet

Matworks GmbH
Gartenstraße 133
73430 Aalen
Germany

solutions@matworks.de
www.matworks.de

Document Name: Datasheet_MC42-21101-0101
Document-Revision: 1

Language: English
Effective from: 07/2025



Authorized Dealer:

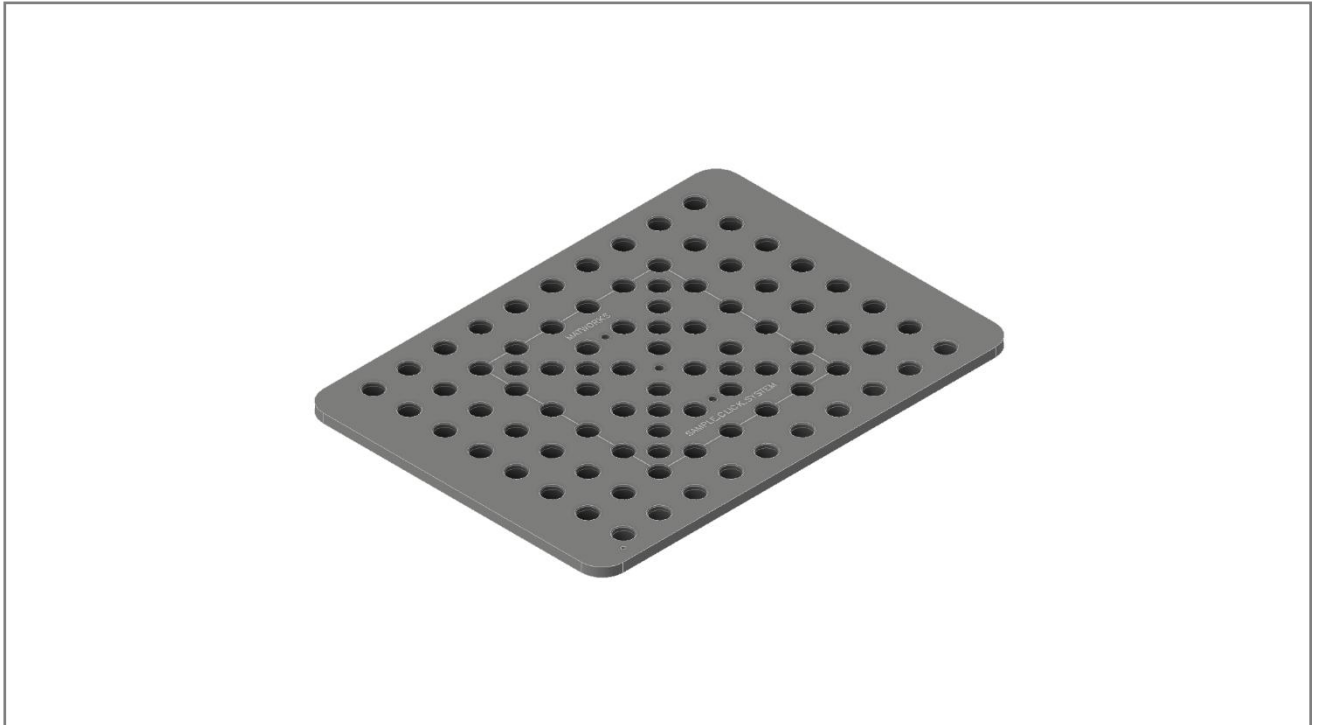
Carl Zeiss Microscopy GmbH
Carl-Zeiss-Promenade 10
07745 Jena
Germany

microscopy@zeiss.com
www.zeiss.com/microscopy

© 2025 Without the prior written consent of MATWORKS, this document or any part of it must neither be translated nor reproduced or transmitted in any form or by any means - including electronic or mechanic methods, by photocopying, recording or by any information or filing system. The right to make backup-copies for archiving purposes shall remain unaffected thereby. Any violations may be prosecuted as copyright infringements. The use of general descriptive names, registered names, trademarks, etc. in this document does not imply that such names are exempt from the relevant intellectual property laws and regulations and therefore free for general use. This shall also apply if this is not specifically referred to. Software programs shall entirely remain the property of MATWORKS. No program or subsequent upgrade thereof may be disclosed to any third party, copied or reproduced in any other form without the prior written consent of MATWORKS, even if these copies or reproductions are destined for internal use at the customer's only, the only exception being one single back-up copy for archiving purposes. MATWORKS reserves the right to make modifications to this document without notice.

Overview

G-OZ-160.116-10.08-A | Grid plate 160x116 mm for ZEISS light microscopes



Component declarations

Type	Grid Plate
Designation	G-OZ-160.116-10.08-A
Component-ID	MC42-21101
Revision-ID	MC42-21101-0101

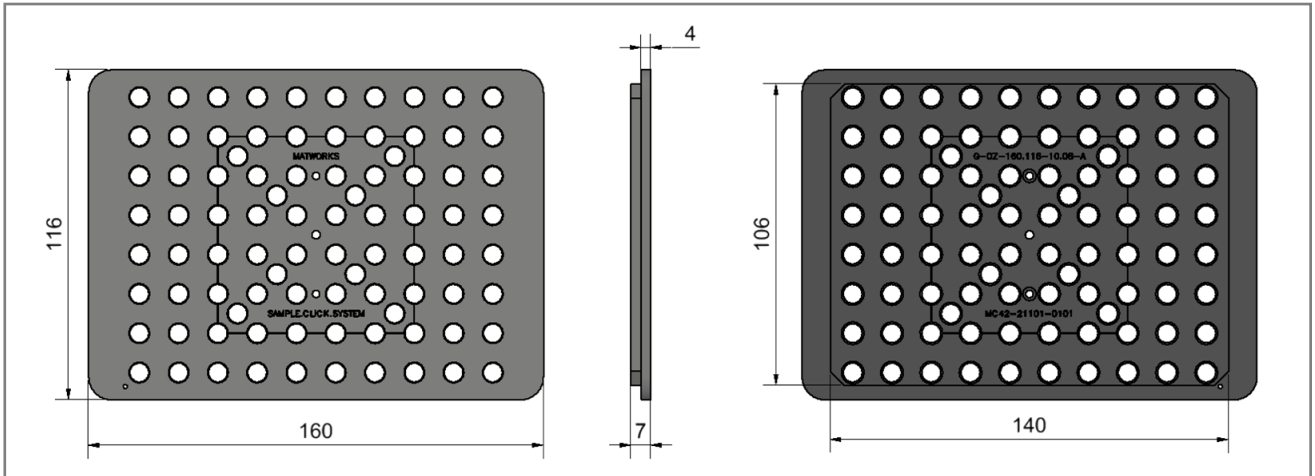
ZEISS declarations

ZEISS material number	432343-9000-000
ZEISS revision state	2025/06/20

Compatibility and Applications

For ZEISS holding frame	160 x 116 mm
For maximum travel range	138 x 111 mm
Grids	10x8
System Compatibility	Matworks SAMPLE.CLICK.SYSTEM

Technical Data



Dimensions and Weight

Width x Depth x Height	160 x 116 x 7 mm
Weight	243 g

Ambient conditions for transport (in packaging)

Permissible ambient temperature	-40 to +50 °C
---------------------------------	---------------

Storage

Permissible ambient temperature	+10 to +40 °C
Permissible relative humidity (no condensation)	max. 75 % @ 35 °C

Operation

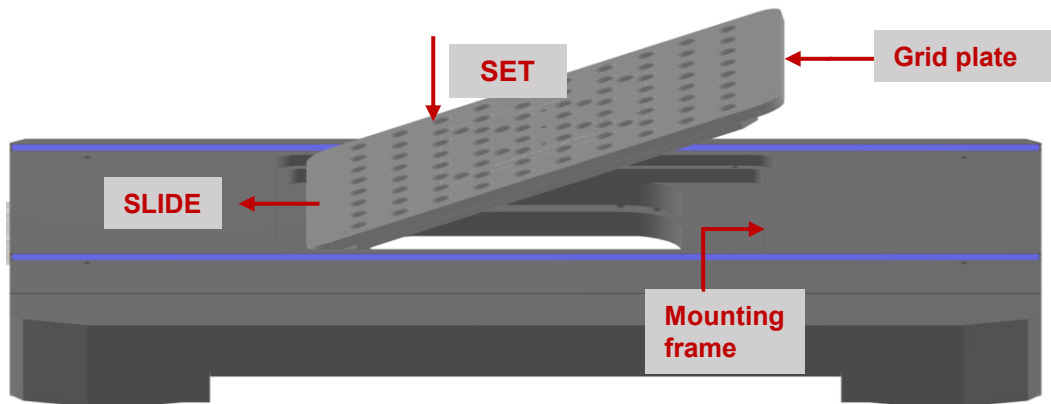
Permissible ambient temperature	+10 to +40 °C
Permissible relative humidity (no condensation)	max. 75 % @ 35 °C
Operating environment	Interior

Material and surface

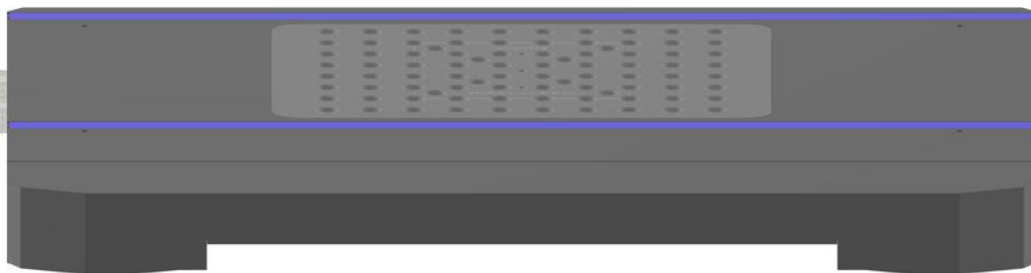
Material	AlMg4,5Mn
Surface	DURNI-COAT® Al 571 layer thickness: 30 µm "Phosphorus alloy content: 9–13% (including alloying elements)" Hardness: approx. 570 HV0.05 lead-free, glossy is intended for repeated contact with food and drinking water

Assembly / disassembly and operating instructions

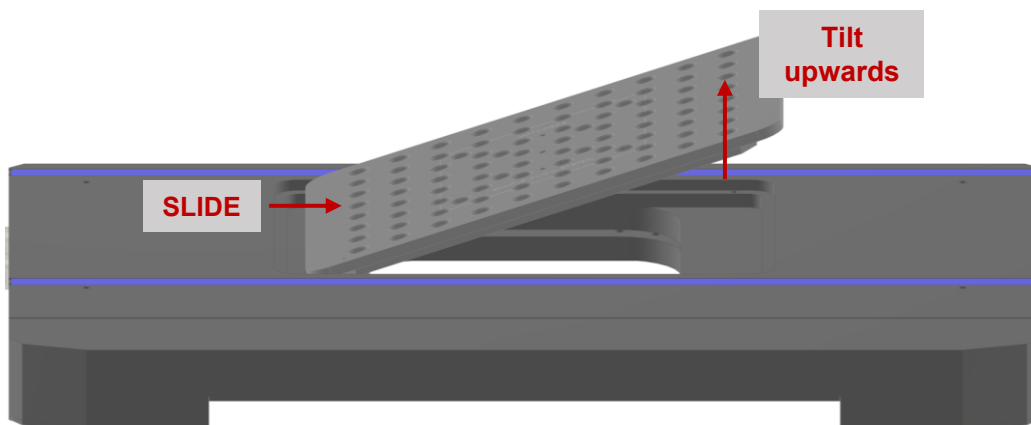
STEP 1: Insert the grid plate into the scanning stage at a slight angle. Gently lower it until it rests securely within the stage. Then, slide the grid plate forward into the mounting frame until it fits firmly in place.



Once the grid plate has been properly inserted into the scanning stage, the sample holders can be examined under the microscope.



STEP 2: To remove the grid plate, slide it backward out of the mounting frame. Once released, carefully tilt the grid plate upward at a slight angle and lift it out of the scanning stage.




Travel ranges and standard compilations

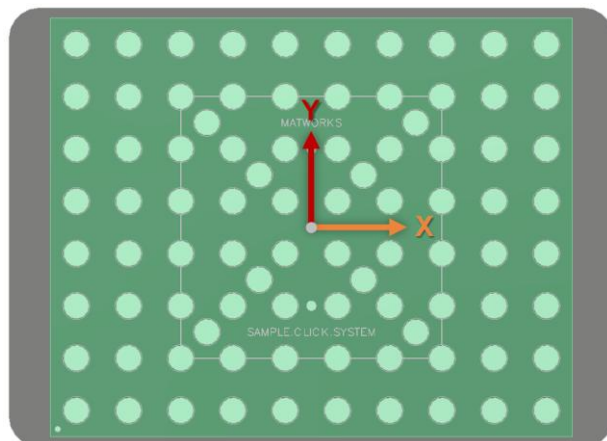
Maximum travel range

X = ± 69 mm (total 138 mm)

Y = ± 55,5 mm (total 111 mm)

 Maximum travel range (138 x 111 mm)

 Required travel range for standard compilations

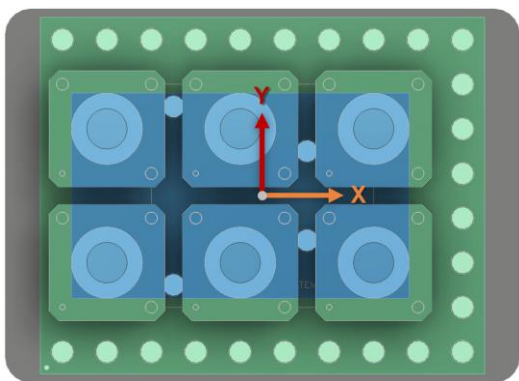


Required travel ranges for standard compilations

Compilation with 6 pcs sample holders 25 mm

X = - 60 / + 46 mm (total 106 mm)

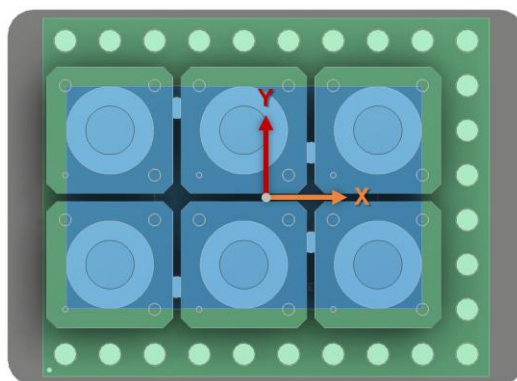
Y = ± 32 mm (total 64 mm)



Compilation with 6 pcs sample holders 30 mm

X = - 62 / + 48 mm (total 110 mm)

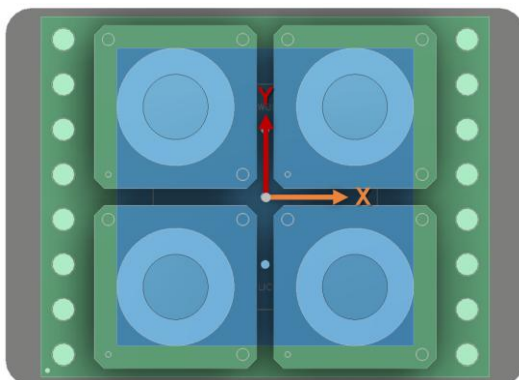
Y = ± 35 mm (total 70 mm)



Compilation with 4 pcs sample holders 40 mm

X = ± 46 mm (total 92 mm)

Y = ± 46 mm (total 92 mm)



Compilation with 4 pcs sample holders 50 mm

X = ± 51 mm (total 102 mm)

Y = ± 51 mm (total 102 mm)

